

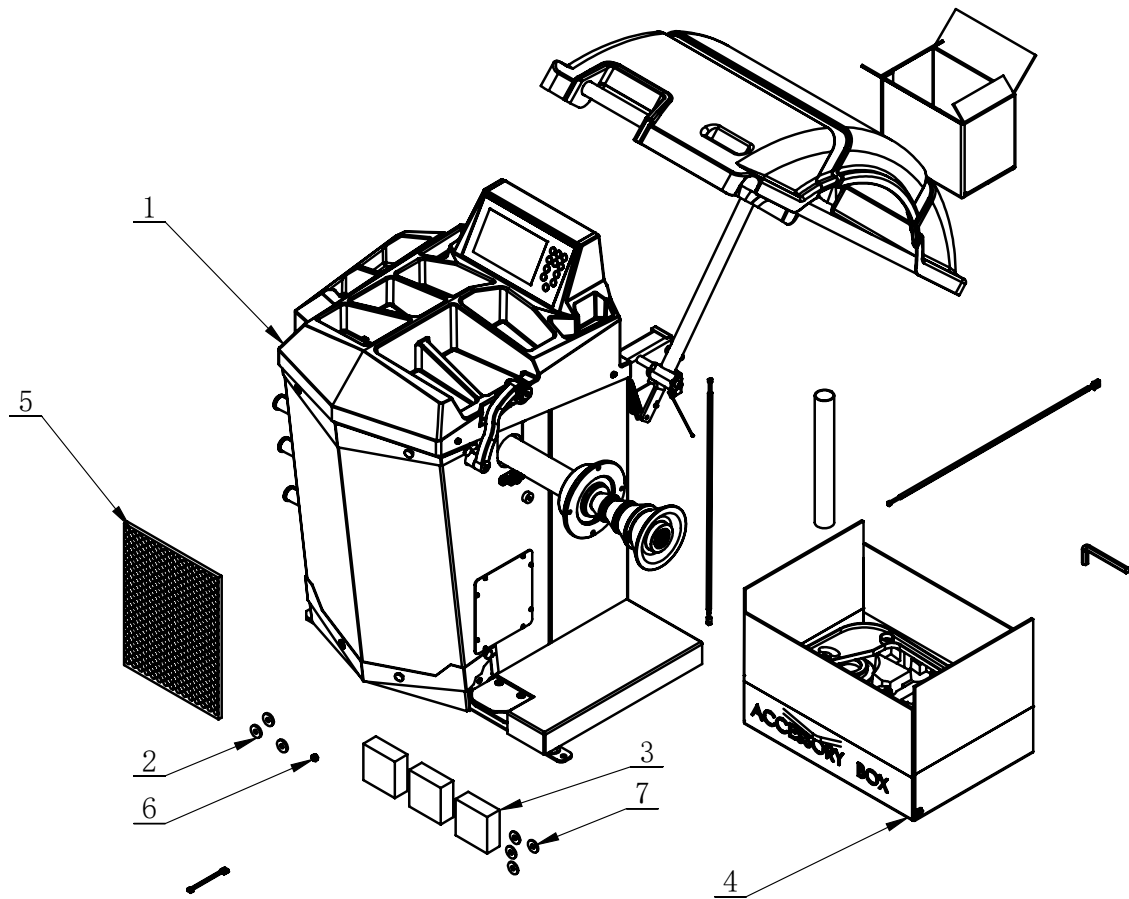
W-987 Wheel Balancer Parts Manual



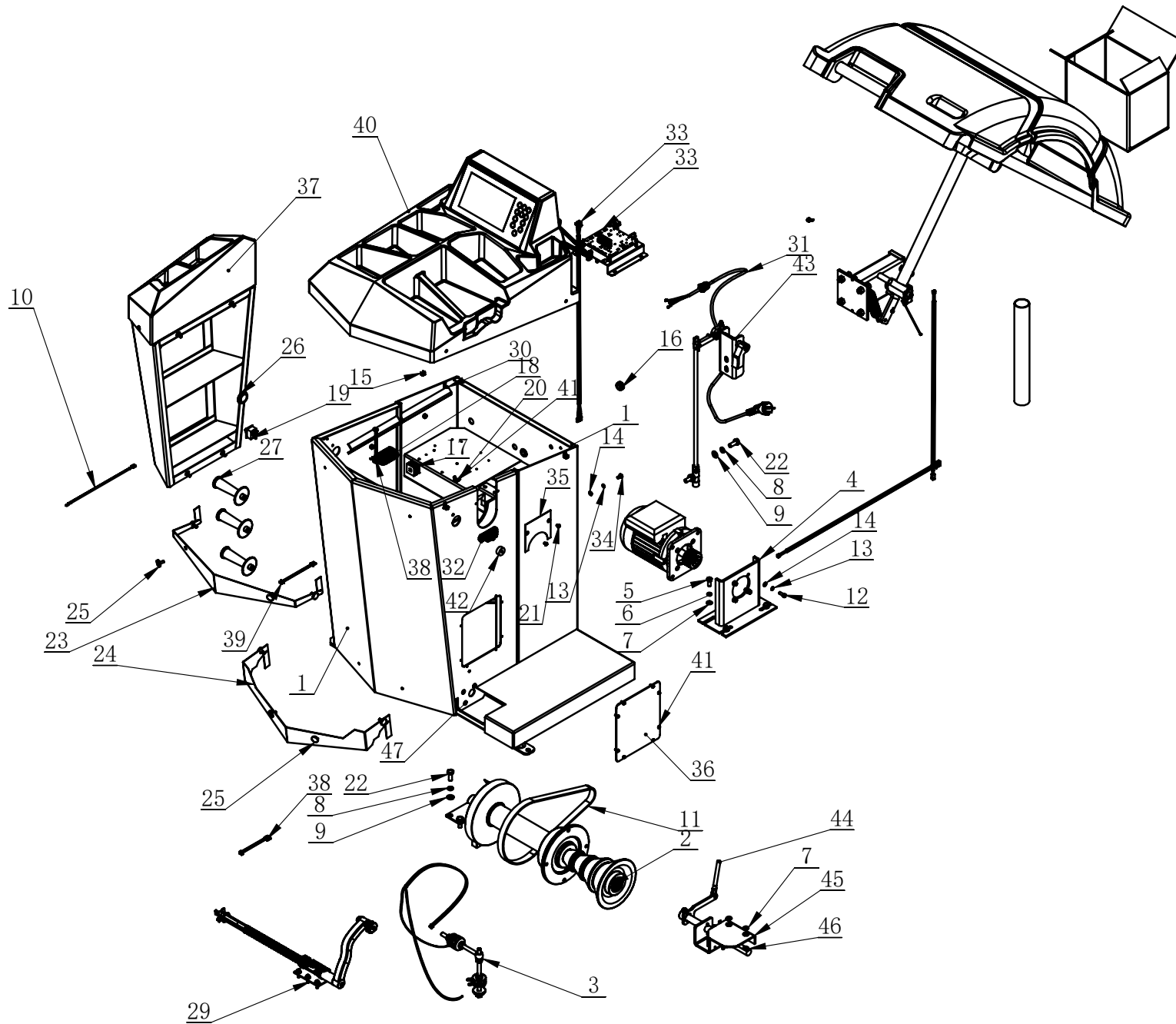
WEAVER

E Q U I P M E N T

Please read this manual before operation

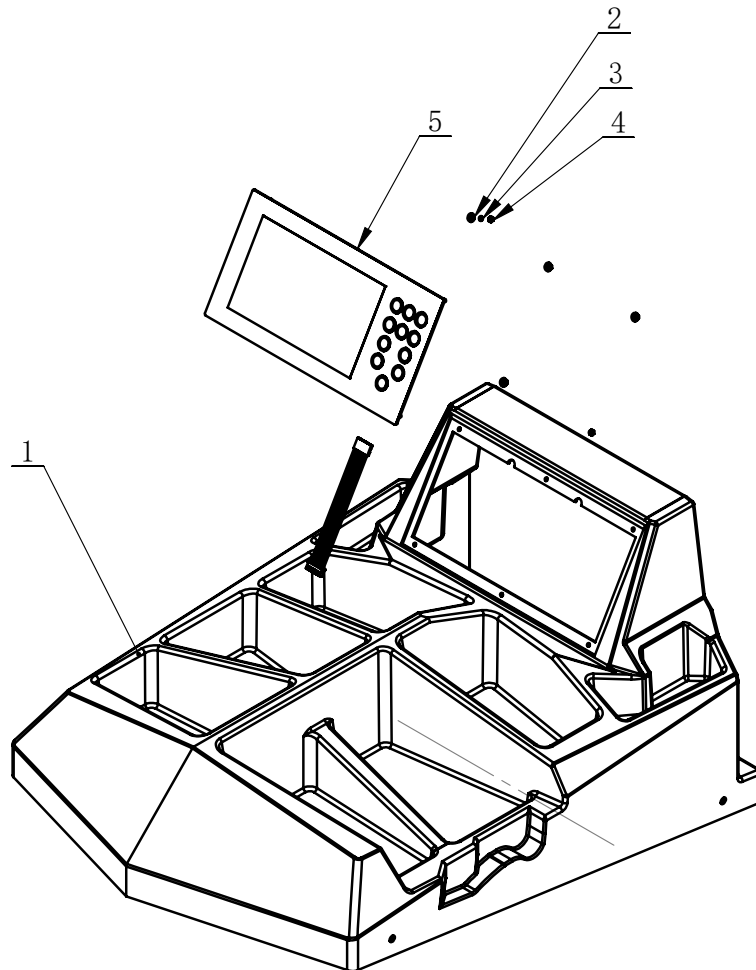


ITEM	PART. No	DESCRIPTION.	QT. Y
1	B-65-110000B	CB3020B ASSME	1
2	C-54-0000003	FILM WASHER	3
3	TB-S-0100014	BUMPER BLOCK	3
4	TB-S-0200000NX	ACCESSORY BOM	1
5	TB-S-0500003	bubble bag	1
6	GB41-M8	HEXANGULAR NUT	1
7	GB96. 1-10	LARGE WASHER A GRADE	4

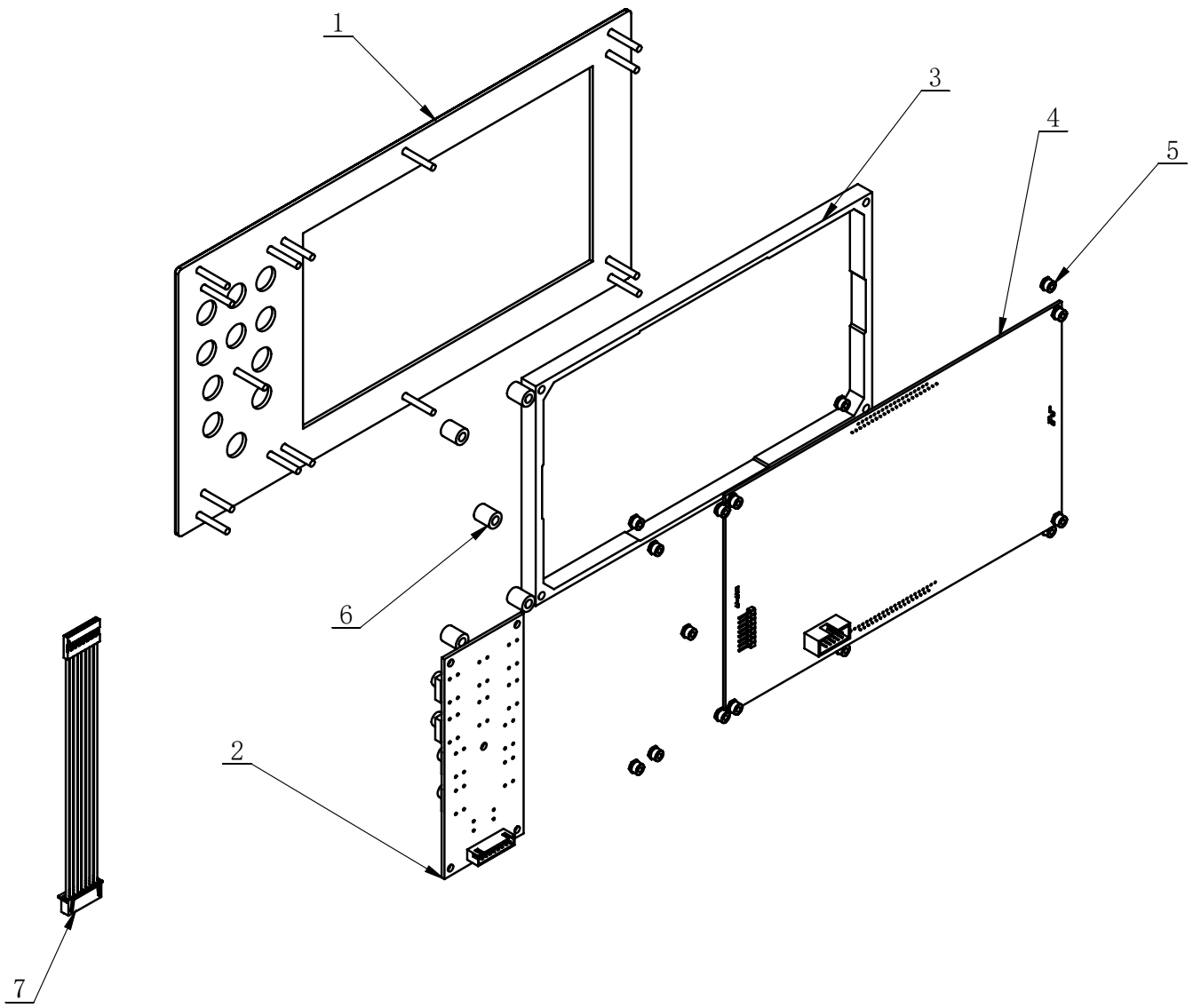


B-65-110000B

ITEM	PART. No	DESCRIPTION.	QT. Y
1	B-65-1110000	CLASSIS-WELD COMP	1
2	TB-P-0600000R	BALANCER SPINDLE	1
3	B-12-4120104	DECORATE PLATE 2	1
4	B-12-4120105	DECORATE PLATE	1
5	2-901003	SCREW M4	8
6	GB95-10	FLAT WASHER	6
7	GB93-10	STANDARD SPRING WASHER	6
8	GB5783-M10×25	HEXANGULAR BOLT	6
9	B-61-1000014	CLIP NUT	4
10	B-01-1000100	MOTOR HOLDER	1
11	TB-E-9001220R	MOTOR ASSEMBLY PART	1
12	TB-P-0110000	PRESS SENSOR ASSEMBLY	1
13	TB-E-1000100	POWER CABLE ASSEMBLY	1
14	TB-E-1001101	POWER SWITCH	1
15	B-01-1008005	EARTH WIRE	1
16	B-53-1000008	FIX PLATE	3
17	B-53-1000009	NYLON BELT	5
18	GB95-8	FLAT WASHER	6
19	GB93-8	STANDARD SPRING WASHER	4
20	GB5783-M8×20	HEXANGULAR BOLT	4
21	GB95-6	FLAT WASHER	5
22	GB93-6	STANDARD SPRING WASHER	5
23	GB70.1-M6×16	INNER HEXA CYLINDRICAL SCREW	4
24	GB973-M5×8-H	CROSS PANHEAD SCREW	2
25	B-01-1000006	WEDGE BELT(940mm)	1
26	C-71-1000019	RUBBER GROMMET	2
27	B-73-1000007	ORNAMENT STOP-UP	1
28	TB-S-0100009	CONE HANG HANDLE	3
29	B-65-1150000	AUTOMATIC MEASUREMENT SCALE ASSEMBLY FOR A, D VALUE	1
30	B-53-1000006	SCREW M4	4
31	B-65-1130000	TOOL BPX SUBASSEMBLY	1
32	B-73-1000019	e-rings	1
33	B-65-1120000	cover assembly	1
34	B-65-1160000	CPU	1
35	B-12-3300000	LASER ASSEMBLY	1
36	B-65-1100002	ASSESS HOLES COVER	1
37	GB818-M6×12-H	CROSS PANHEAD SCREW	1
38	B-12-4110004	COVER BOARD	1
39	B-65-1100005	A VALUE LINE	2
40	B-65-1100006	D VALUE LINE	1
41	GB818-M4×10-H	CROSS PANHEAD SCREW	9
42	B-65-1110002	LED LIGHT	1
43	B-12-3000002	Short circuit block	1
44	B-65-1221000	BREAKER 1	1
45	B-65-1222000	BREAKER 2	1
46	B-72-1200004	PEDAL	1
47	GB819-M8×12-H	CROSS COUNTERSUNK SCREW STEEL 4.8 GRADE	2
48	GB70.3-M6×12	INNER COUNTERSUNK SCREW	3

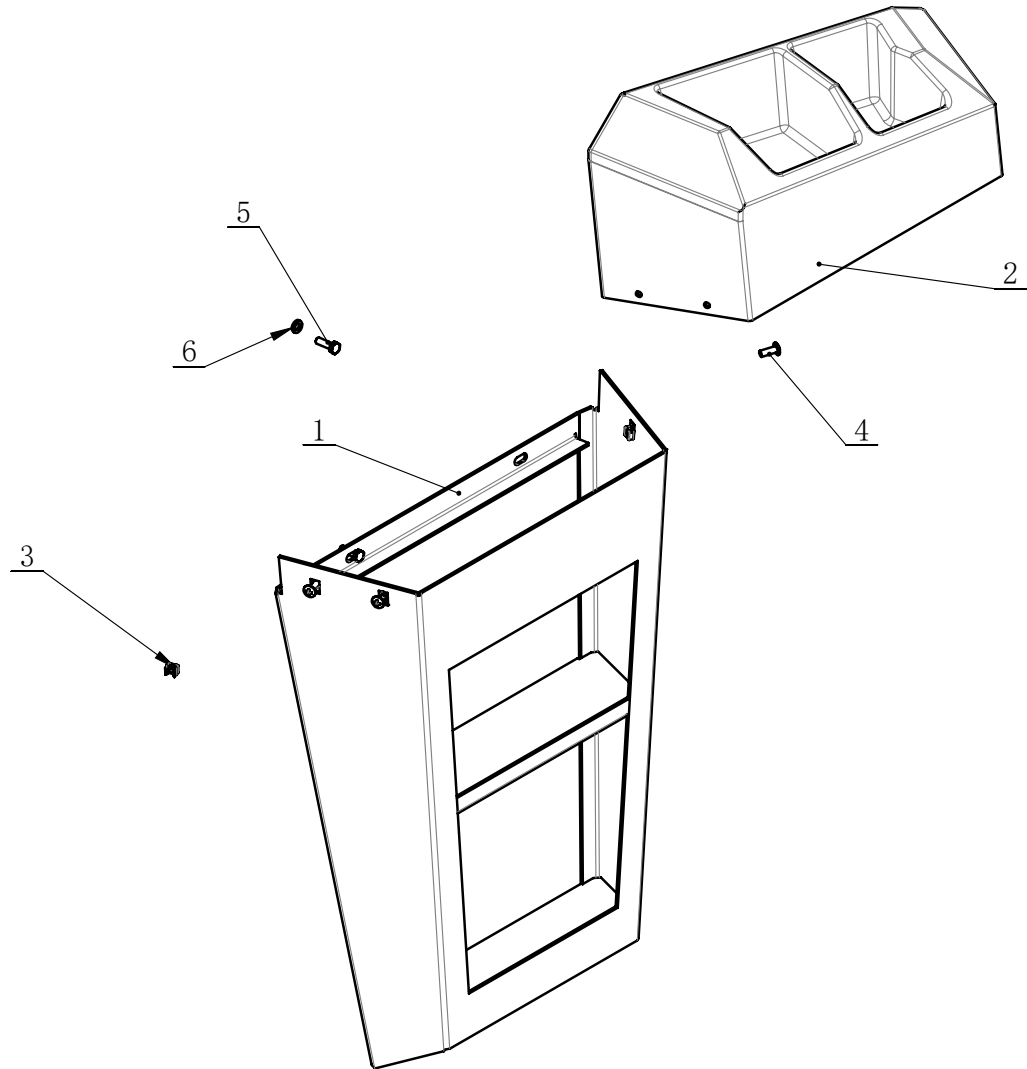


ITEM	PART. No	DESCRIPTION.	QT. Y
1	B-12-4120101	COVER	1
2	GB96. 1-3	LARGE WASHER A GRADE	6
3	GB93-3	STANDARD SPRING WASHER	6
4	GB6170-M3	HEXANGULAR NUT 1-TYPE	6
5	B-65-1120200	DISPLAY ASSEM	1

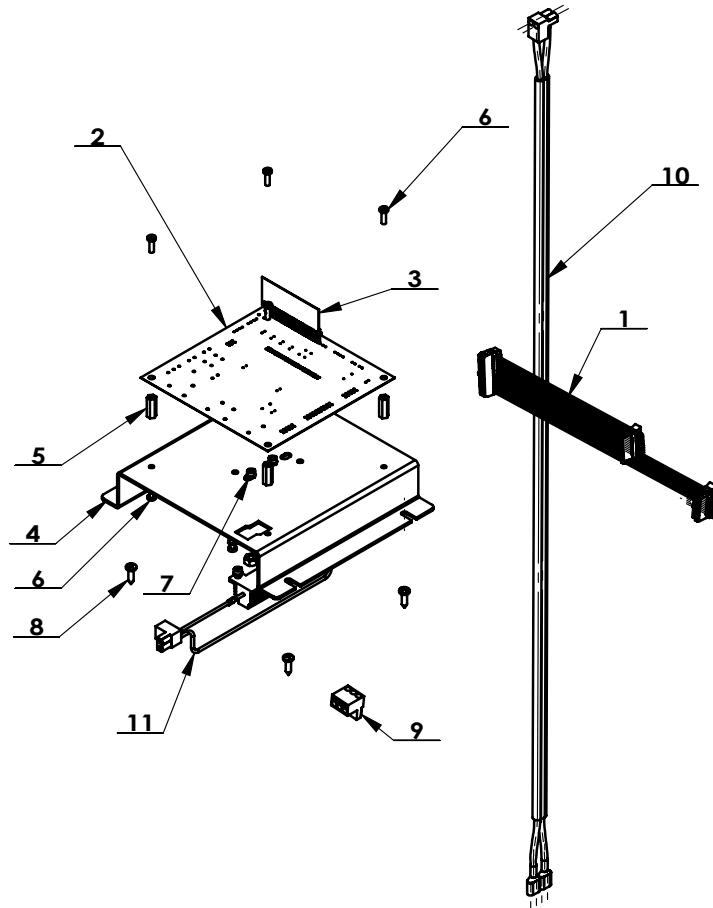


ITEM	PART. No	DESCRIPTION.	QT. Y
1	B-65-1120210	COVER BOARD	1
2	B-65-1120007	KEYBOARD	1
3	B-65-1120006	HOLDER	1
4	B-65-1120003	MAIN BOARD	1
5	GB889. 1-M3	1-TYPE PREVAILING TORQUE TYPE HEXAGON LOCK NUT	15
6	B-73-1400003	BASE ROD	5
7	B-65-1120008	WIRE	1

B-65-1130000

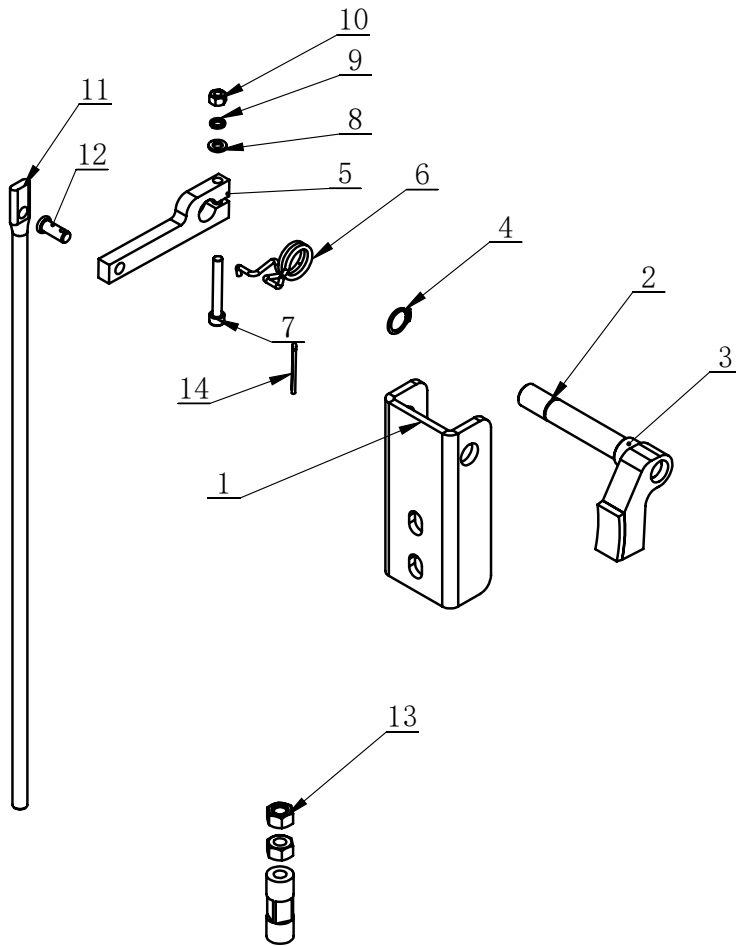


ITEM	PART. No	DESCRIPTION.	QT. Y
1	B-65-1131000	TOOL BOX WELDING	1
2	B-12-4120102	TOOL BOX COVER	1
3	B-61-1000014	CLIP NUT	3
4	GB973-M6×16-H	CROSS PANHEAD SCREW	3
5	GB5781-M6×20	HEXANGULAR BOLT	4
6	GB95-6	FLAT WASHER	2

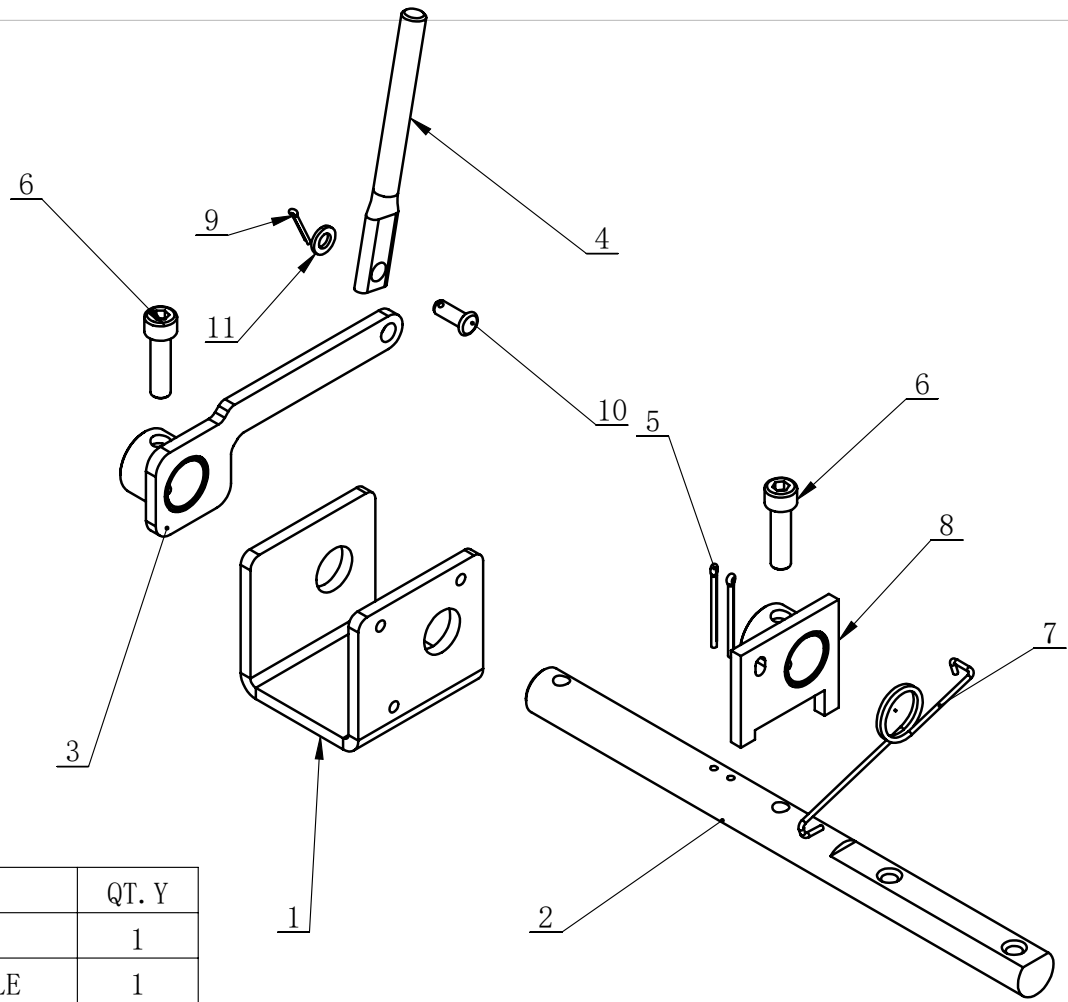


ITEM	PART. No	DESCRIPTION.	QT. Y
1	B-55-1500012	ENCODER BOARD CONNECTION WIRE	1
2	B-65-1160003	PCB BOARD	1
3	B-65-1160001	CPU	1
4	B-65-1160002	POWER BASE PLATE	1
5	B-55-1500004	PILLAR	4
6	GB818-M3×10-H	CROSS PANHEAD SCREW	8
7	GB889.1-M3	LOCK NUT	6
8	GB845-ST3.5×13 H C	CROSS PANHEAD TAPPING SCREW	4
9	B-55-1000009	PLUG	1
10	B-55-1008001	SWITCH CONNECTION LINE	1
11	B-55-1500100	RESISTANCE	1
12	GB818-M3×8-H	CROSS PANHEAD SCREW	4
13	GB6170-M5	HEXANGULAR NUT 1-TYPE	2

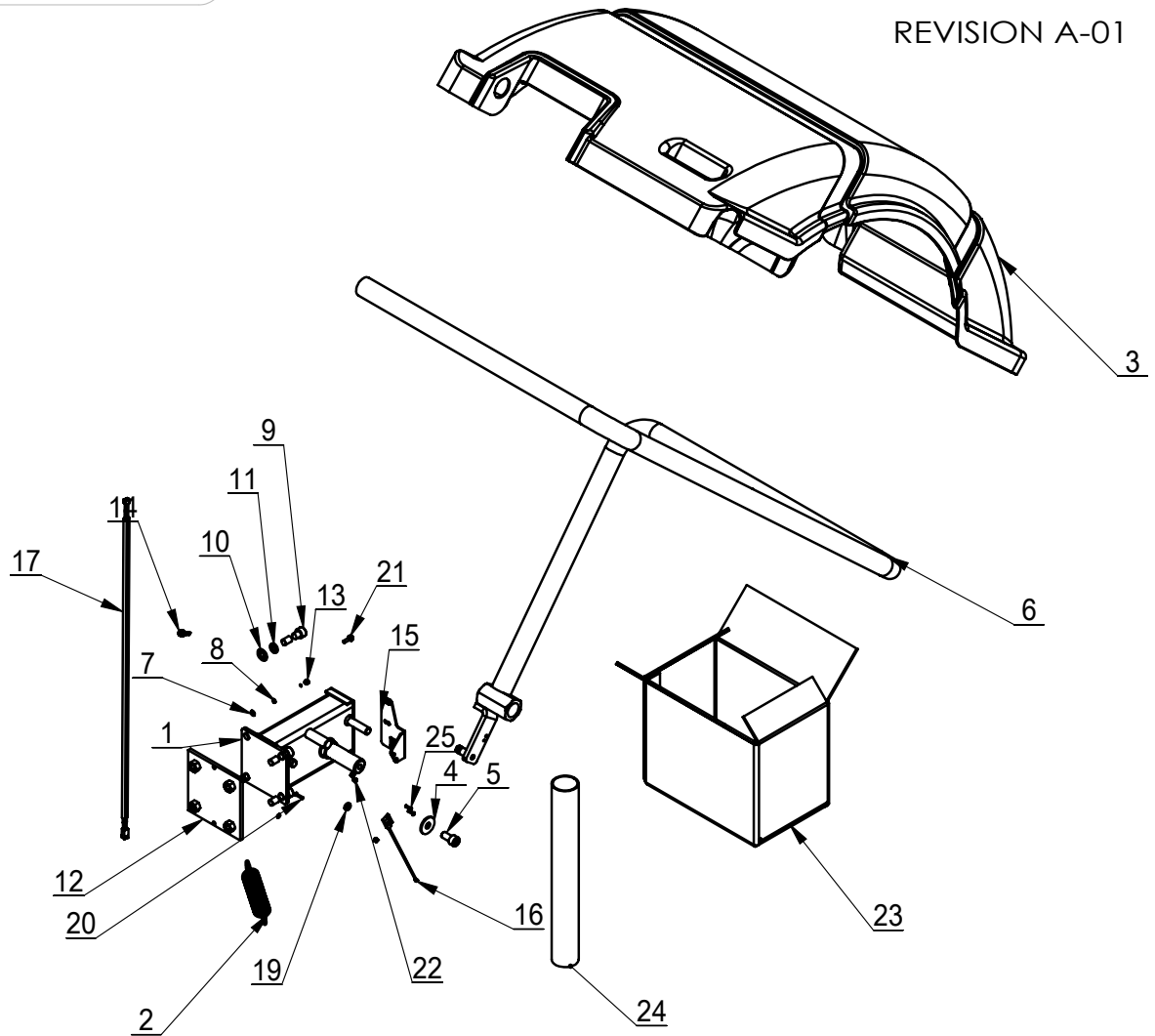
B-65-1221000



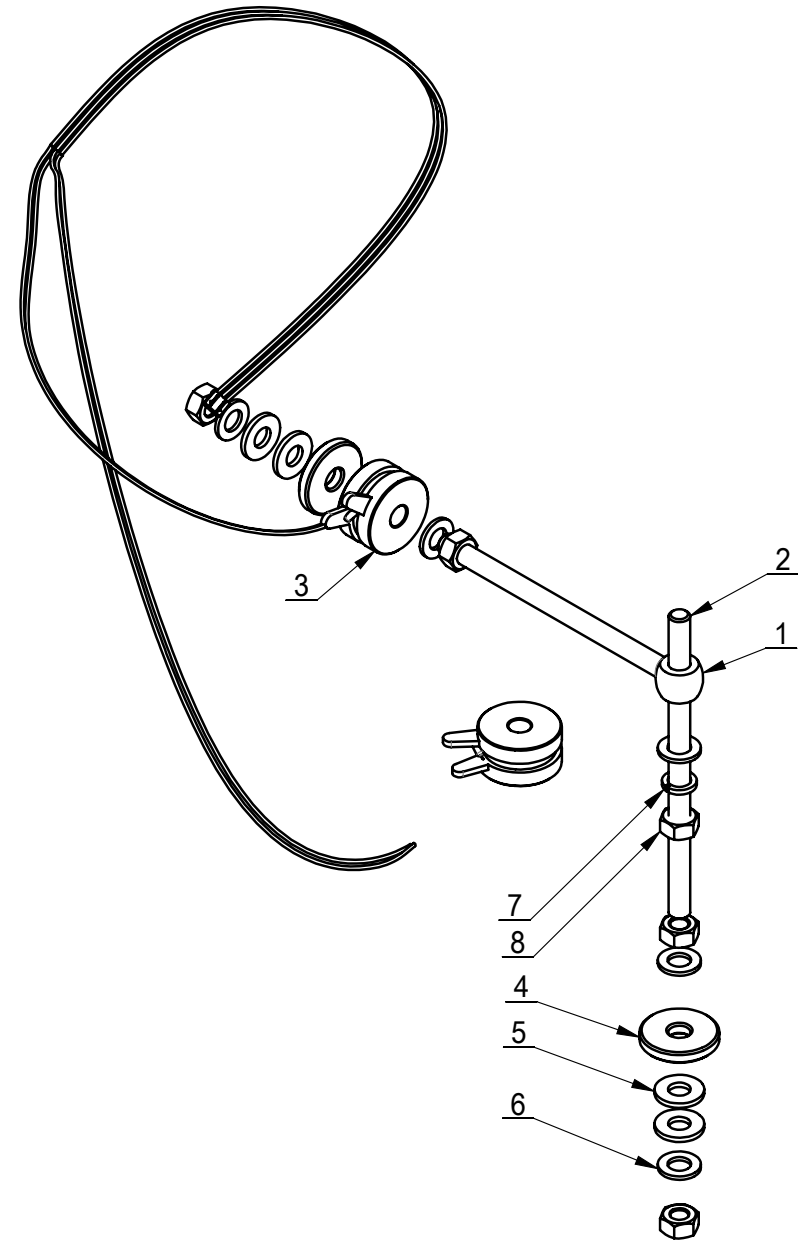
ITEM	PART. No	DESCRIPTION.	QT. Y
1	B-12-1312001	SUPPORTING	1
2	B-12-1311000	Brake turret assembly	1
3	B-12-1310003	spacer bush	1
4	GB894. 1-16	SHAFT ELATIC BIG RETAINING RING A-TYPE	1
5	B-65-1221001	BREAK SPANNER	1
6	B-12-1310002	TORSIONAL SPRING	1
7	GB70. 1-M6×45	INNER HEXA CYLINDRICAL SCREW	1
8	GB95-6	FLAT WASHER	1
9	GB93-6	STANDARD SPRING WASHER	1
10	GB41-M6	HEXANGULAR NUT	1
11	B-65-1221002	BRAKE CONNECT ROD	1
12	GB882-8×20	PIN SHAFT	1
13	GB41-M10	hexangular nut	1
14	GB91-2. 5×32	SLOTTED PIN	1
15	B-72-1500006V	BRAKE CONNECT ROD	1
16	GB41-M10-LH	HEXANGULAR NUT	1



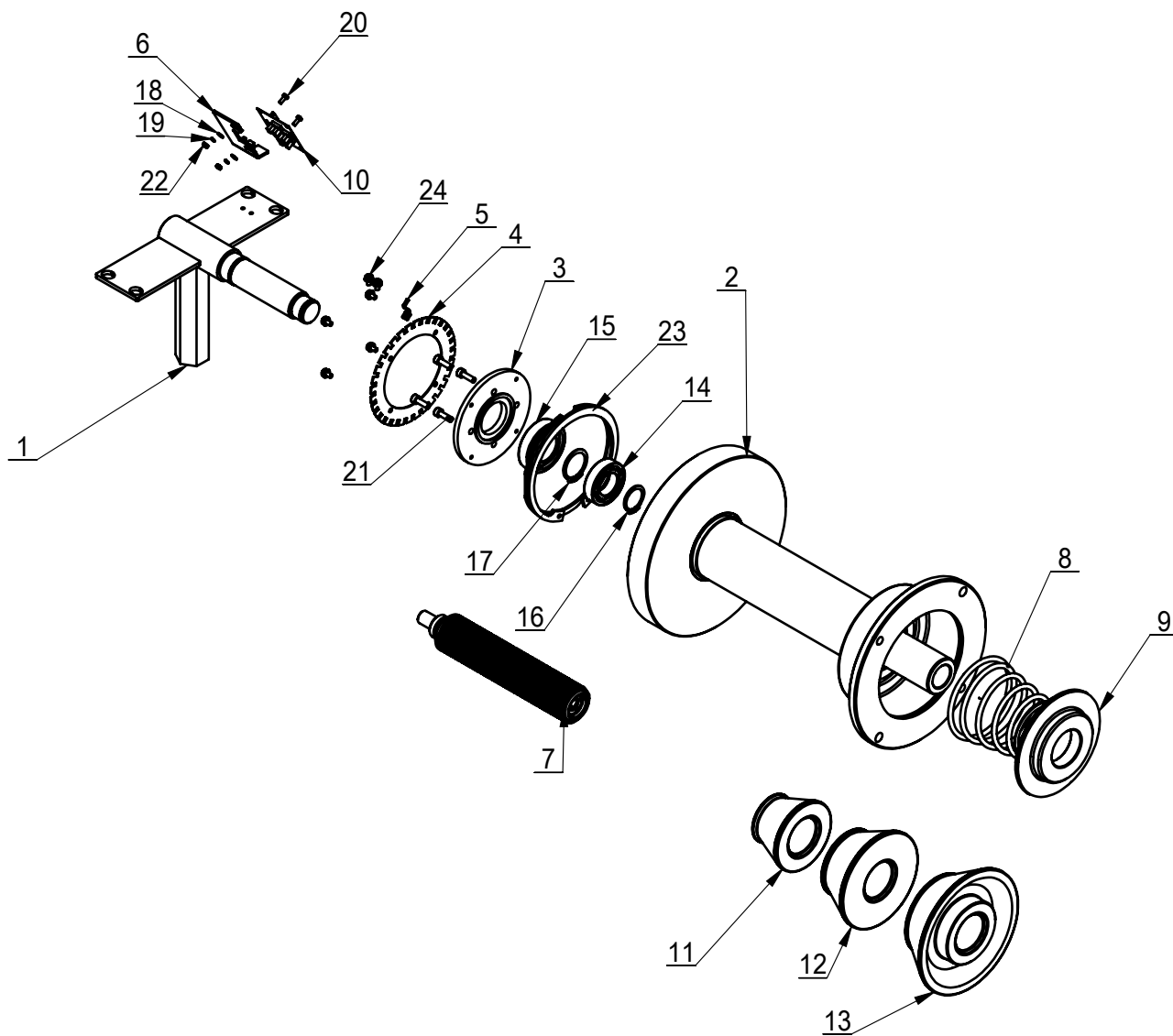
ITEM	PART. No	DESCRIPTION.	QT. Y
1	B-72-1200001	BRACKET	1
2	B-65-1222001	BRAKE ROTATION SPINDLE	1
3	B-65-1222100	PULL ROD WELDING ASSEM	1
4	B-72-1500004V	BRAKE CONNECT ROD	1
5	GB91-2.5×32	SLOTTED PIN	2
6	GB70.1-M8×30	INNER HEXA CYLINDRICAL SCREW	2
7	B-72-1200006	WIDTH SCALE TORSION SPRING	1
8	B-65-1222200	STOPPER WELDING	1
9	GB91-2×16	SLOTTED PIN	1
10	GB882-6×16	PIN SHAFT	1
11	GB95-6	FLAT WASHER	1



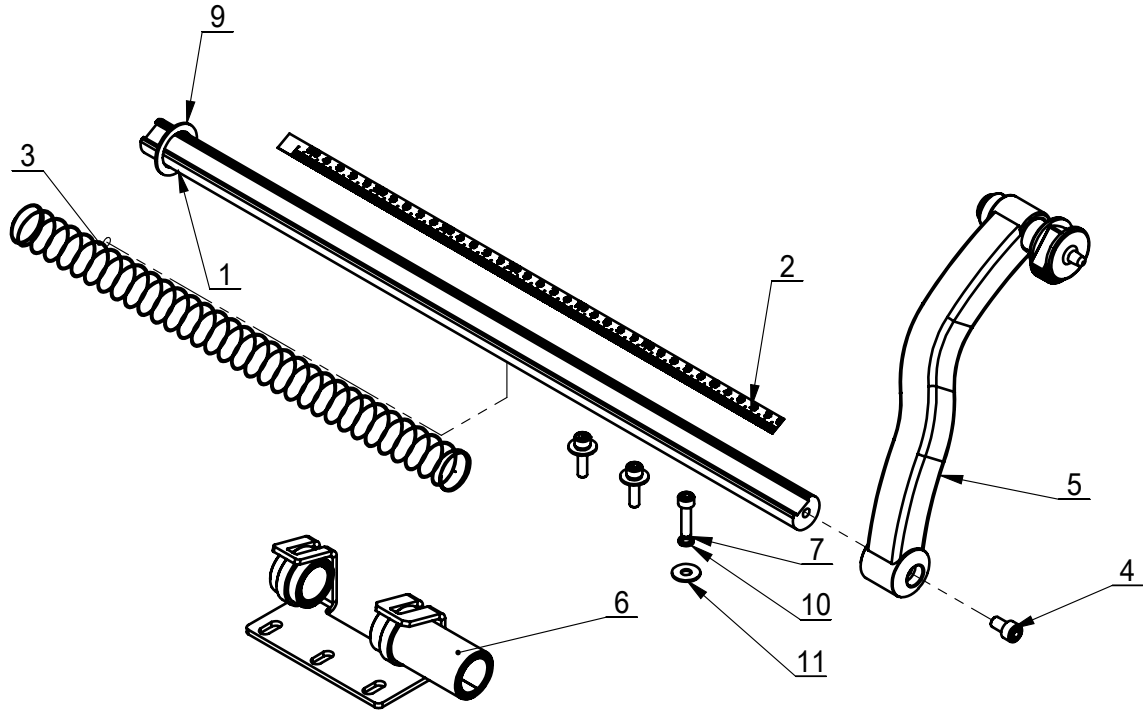
ITEM	PART.No	DESCRIPTION.	QT.Y
1	TB-F-0110000	PROTECTIVE HOOD SUPPORT	1
2	TB-F-0100001	SUPPORT PIPE EXTENSION SPRING	1
3	TB-F-0100003	NEW STYLE HOOD	1
4	GB96.1-10	LARGE WASHER A GRADE	1
5	GB70.1-M10×20	INNER HEXA CYLINDRICAL SCREW	1
6	TB-F-0120000A	PROTECTIVE HOOD SUPPORTT	1
7	GB95-4	FLAT WASHER	2
8	GB93-4	STANDARD SPRING WASHER	2
9	GB70.1-M10×35	INNER HEXA CYLINDRICAL SCREW	4
10	GB95-10	FLAT WASHER	4
11	GB93-10	STANDARD SPRING WASHER	4
12	TB-F-0130000	CONNECTING PLATE	1
13	GB70.1-M4×12	INNER HEXA CYLINDRICAL SCREW	2
14	GB15856.4-ST5.5×19	HEXA FLANGE TAPPING SCREW	1
15	TB-F-0100007	PROTECTIVE PLATE	1
16	B-53-1000010	MAGNETIC SWITCH	1
17	B-53-1000016	POWER LINE	1
18	GB95-3	FLAT WASHER	1
19	TB-F-0100016	MAGNET	1
20	GB819.1-M3×16-H	CROSS COUNTERSUNK SCREW STEEL 4.8 GRADE	1
21	GB9074.4-M4×16	COMBINATION SCREW	2
22	GB889.1-M3	1-TYPE PREVAILING TORQUE TYPE HEXAGON LOCK NUT	3
23	TB-S-0100004	ACCESSORY BOX	1
24	TB-F-0100014	PROTECTIVE CASING	1
25	GB819.1-M3×12-H	CROSS COUNTERSUNK SCREW STEEL 4.8 GRADE	2



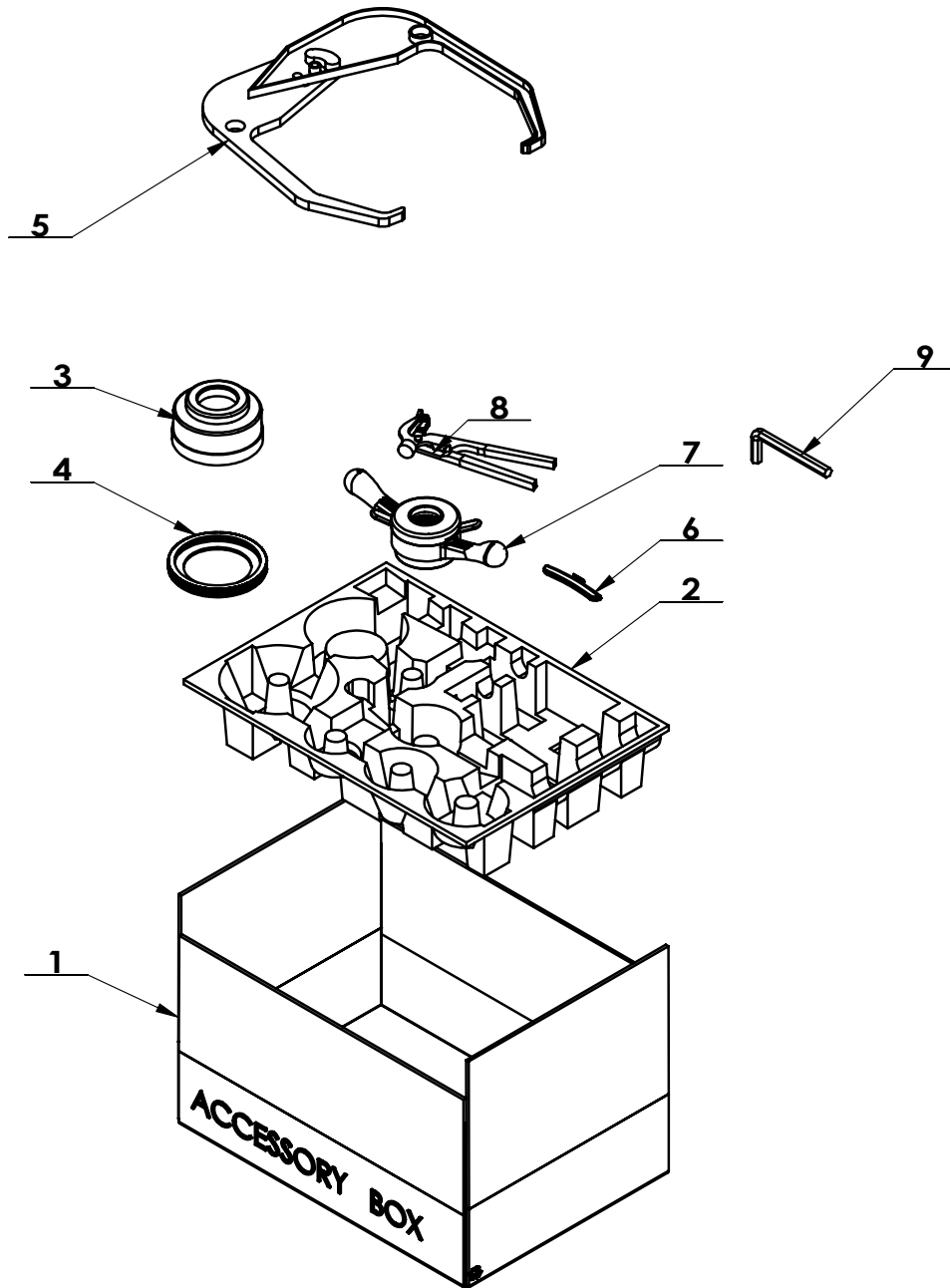
ITEM	PART.No	DESCRIPTION.	QT
1	TB-P-0103000	SCREW WITH HANGING RING	1
2	TB-P-0100006	FULL BOTTON SCREW	1
3	TB-P-0100100	PIEZO ASSEMBLY	1
4	TB-P-0100005	PRESSING WASHER	2
5	DIN 6796 - 10	SPRING PIEZO WAHSER	4
6	GB95-10	FLAT WASHER	5
7	GB93-10	STANDARD SPRING WASHER	1
8	GB6170-M10	HEXANGULAR NUT 1-TYPE	5



ITEM	PART.No	DESCRIPTION.	QT.Y
1	TB-P-0101000	FIXING SHAFT WELDING	1
2	TB-P-0602000L	MAIN SHAFT WELDING	1
3	TB-P-0100001	BEARING PRESS HOUSING	1
4	TB-P-0100002	PHOTOELECTRIC SET	1
5	TB-P-0100003	PHOTOELECTRIC TOOTH	1
6	TB-P-0100004	ENCODER CELL PLATE	1
7	B-73-1215000	BALANCER SPINDLE	1
8	TB-P-0100009	SPRING	1
9	TB-P-0300008	SPRING PRESS COVER	1
10	TB-P-0600011M	ANGLE SENSOR	1
11	TB-P-0300032	40CONE 54-78	1
12	TB-P-0300033	40CONE 74-108	1
13	TB-P-0300034	40CONE 89-140	1
14	GB276-6005	DEEP GROOVE BALL BEARINGS	1
15	GB276-6006	DEEP GROOVE BALL BEARINGS	1
16	GB894.2-25	SHAFT ELATIC RETAINING RING B-TYPE	1
17	GB894.2-30	SHAFT ELATIC RETAINING RING B-TYPE	1
18	GB95-3	FLAT WASHER	2
19	GB93-3 GB818-	STANDARD SPRING WASHER	2
20	M3×8-H GB70.1-	CROSS PANHEAD SCREW	2
21	M5×16 GB6170-	INNER HEXA CYLINDRICAL SCREW	4
22	M3 TB-	HEXANGULAR NUT 1-TYPE	2
23	P-0300009A	CLAMP RING	1
24	GB9074.4-M4×8	SCREW	6
25	GB893.2-120	ELASTIC RETAINING RING B-TYPE	1



ITEM	PART.No	DESCRIPTION.	QT.Y
1	B-71-1100001	DISTANCE GAUGE ROD	1
2	B-73-1300010	SCALE	1
3	B-73-1300008	DISTANCE GAUGE SPRING	1
4	GB70.1-M6×10	INNER HEXA CYLINDRICAL SCREW	1
5	TB-L-0802000	SHOULDER HANDLE	1
6	B-12-4131000	BRACKET ASSEMBLY	1
7	GB70.1-M5×20	INNER HEXA CYLINDRICAL SCREW	3
8	GB894.1-20	SHAFT ELATIC BIG RETAINING RING A-TYPE	1
9	B-73-1300012	SEPARATION BLADE	1
10	GB93-5	STANDARD SPRING WASHER	3
11	GB96.2-5	LARGE WASHER C GRADE	3



ITEM	PART. No	DESCRIPTION.	QT. Y
1	TB-S-0100006	ACCESSORY BOX	1
2	TB-S-0100007	TRAY	1
3	TB-S-0100001	BOWL	1
4	TB-S-0100002	BOWL EDGE	1
5	TB-S-0100100	CALIPER ASSEMBLY	1
6	TB-S-0100003	WEIGHT (100g)	1
7	TB-K-0200000	40mm QUICK NUT	1
8	TB-S-0100005	BALANCE HAMMAR	1
9	TB-S-0500002	SPANNER 12mm	1